

## 6.2MM JST CRIMP RECEPTACLE WIRE TO WIRE

### 6.2MM (0.244") SOCKET HOUSING

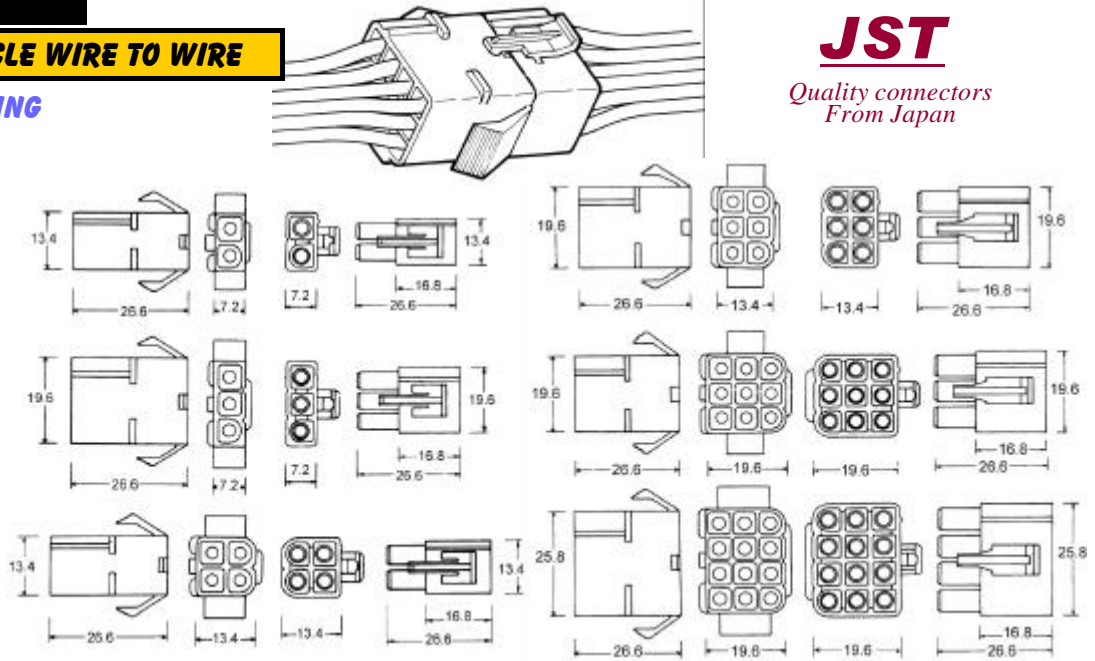
#### LR CONNECTOR SERIES

These connectors are applicable to almost all electric products including circuits having current rating of up to 15Amps. High quality connectors supplied as a complete set, Male Receptacle and Plug Housing with Male and Female pins.

Current Rating: 15 Amp 300VDC  
 Housing: Nylon 94V-0  
 Insulator Resistance: 1000M $\Omega$  min  
 Dielectric W/Voltage: 1500VAC for 1 min.  
 Operating Temperature: -25°C - +90°C

Supplied as a complete kit:  
 1 x Receptacle Housing  
 1 x Plug Housing  
 \* x Male Pin Contacts  
 \* x Female Socket Contacts

Part Number	No of Contacts	Current Rating
P5102	2	15A
P5103	3	14A
P5104	4	13A
P5106	6	12A
P5109	9	10A
P5112	12	9A



# JST

Quality connectors  
From Japan

## 4 PIN DISK DRIVE CONNECTORS

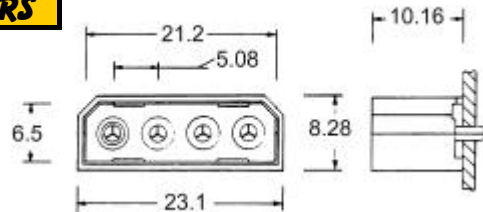
### DISK DRIVE POWER CONNECTORS

Power connectors 4 pin, to suit Floppy and Hard Drives, Fans etc.  
 Friction lock inside housing for improved retention of mating connector.

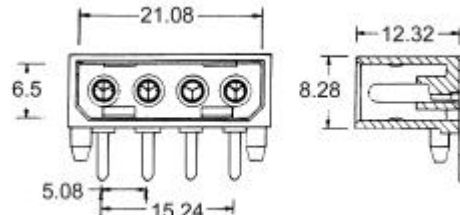
Current Rating: 10 Amp 250VAC  
 Housing: Nylon 94V-2  
 Insulator Resistance: 1000M $\Omega$  min  
 Dielectric W/Voltage: 1500VAC for 1 min.  
 Operating Temperature: -25°C - +90°C

Male and Female Inline housings  
are supplied with 4 crimp contacts.

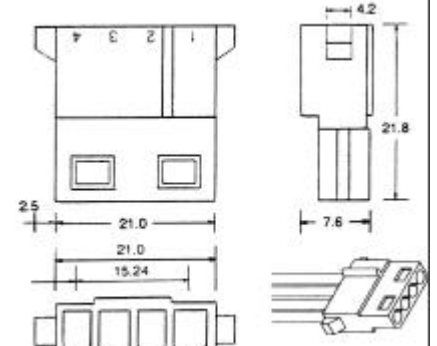
Part Number	No of Contacts
P5670	4 Pin PCB Male
P5671	4 Pin PCB 90 Male
P5672	4 Pin Female Line
P5673	4 Pin Male Line



P5670 PCB Male Straight

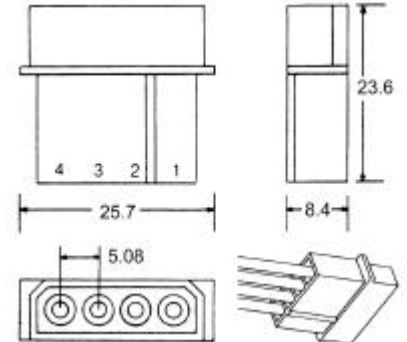


P5671 PCB Male R/Angle



P5672 Inline Female

Supplied as a complete kit:  
 1 x Receptacle Housing  
 4 x Female crimp contacts



P5673 Inline Male

Supplied as a complete kit:  
 1 x Plug Housing  
 4 x Male crimp contacts

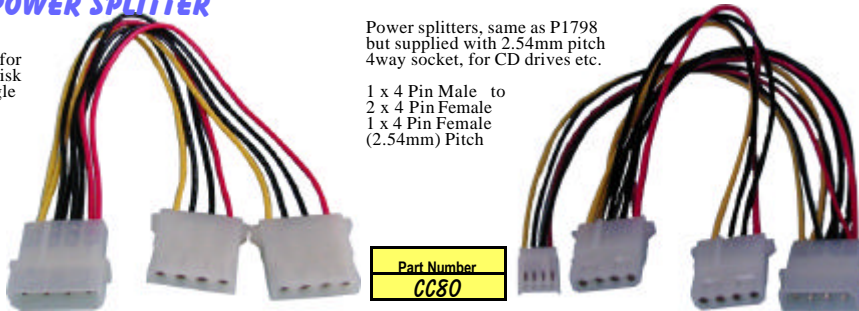
### DISK DRIVE POWER SPLITTER

Power splitters used internally in PCs for power distribution to disk drives, etc. Splits single power loom into two.

1 x 4 Pin Male to  
 2 x 4 Pin Female

Power splitters, same as P1798 but supplied with 2.54mm pitch 4way socket, for CD drives etc.

1 x 4 Pin Male to  
 2 x 4 Pin Female  
 1 x 4 Pin Female  
 (2.54mm) Pitch



Part Number
P1798

Part Number
CC80

## HEAVY DUTY CONNECTORS

### INLINE PLUG-SOCKET 6.35MM TABS

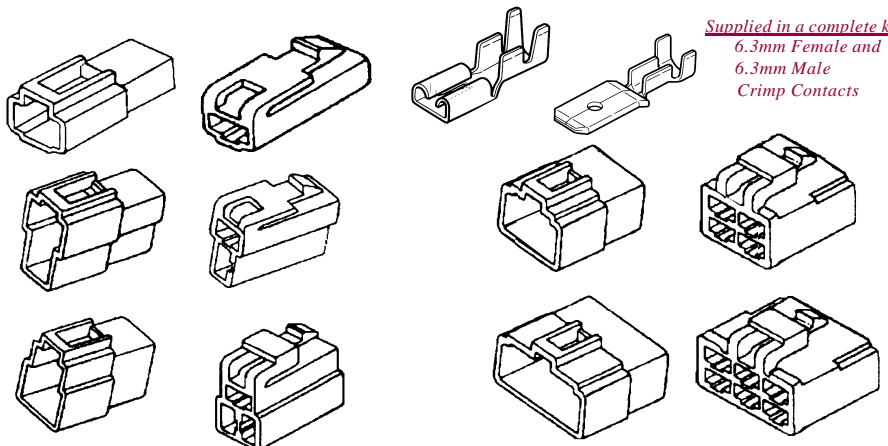
#### HEAVY DUTY - 20 AMPS

Heavy duty connectors for high current use, each kit is supplied with Male plug and Female receptacle and appropriate crimp pins. Pins can either be crimped or soldered onto cable and then snapped into place inside connector.

Current Rating: 20 Amp 300VDC  
 Housing: Nylon 94V-0  
 Insulator Resistance: 1000M $\Omega$  min  
 Dielectric W/Voltage: 1500VAC for 1 min.  
 Operating Temperature: -25°C - +90°C

Part Number	No of Contacts	Current Rating
UT-CHJ1	1	20Amps
UT-CHJ2	2	20Amps
UT-CHJ3	3	20Amps
UT-CHJ4	4	20Amps
UT-CHJ6	6	20Amps

Supplied as a complete kit:  
 1 x Receptacle Housing  
 1 x Plug Housing  
 \* x Male Pin Contacts  
 \* x Female Socket Contacts



Supplied in a complete kit:  
 6.3mm Female and  
 6.3mm Male  
 Crimp Contacts